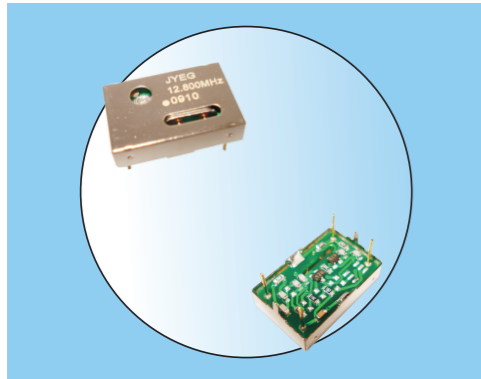


## Temperature Compensated Crystal Oscillator / TCXO-18



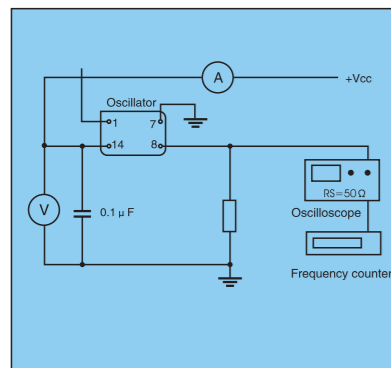
### Features

- JYEG part number: JYTC18
- Wide Frequency Range up to 40MHz
- Low Aging
- Sine Wave, HCMOS, LVCMOS
- APPLICATIONS:  
SDH/SONET, ATM, WLL  
Measurement Equipment

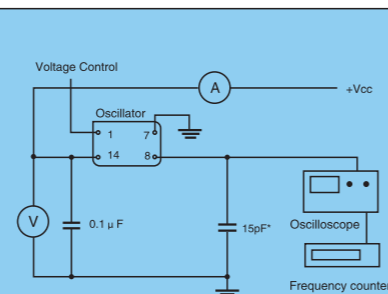
### TYPICAL SPECIFICATIONS

Type	TC18
Frequency Range	2~40MHz
Frequency Stability vs Temperature (FST)	± 1.0ppm(0°C~+50°C)
	± 1.5ppm(0°C~+70°C)
	± 2ppm(-20°C~+70°C)
	± 2.5ppm(-30°C~+75°C)
	± 3.0ppm(-40°C~+85°C)
Frequency Accuracy	Max. ± 1.0ppm
Aging	Max. ± 1ppm/Year
Output Type and Load Characteristics	See Table1
Frequency Stability vs Load	± 0.1ppm max.vs ± 10%load change
Supply Voltage	+3.3 VDC,+5.0VDC
Frequency Stability vs Voltage	± 0.2ppm max.vs ± 5%voltage change
Phase Noise(10MHz)	10Hz, -80dBc/Hz
	100Hz, -110dBc/Hz
	1kHz, -140dBc/Hz
	10kHz, -150dBc/Hz
	100kHz, -150dBc/Hz
Supply Current	See Table 1
Storage Temperature Range	-40°C~+100°C

### Test Circuit-Sine Wave

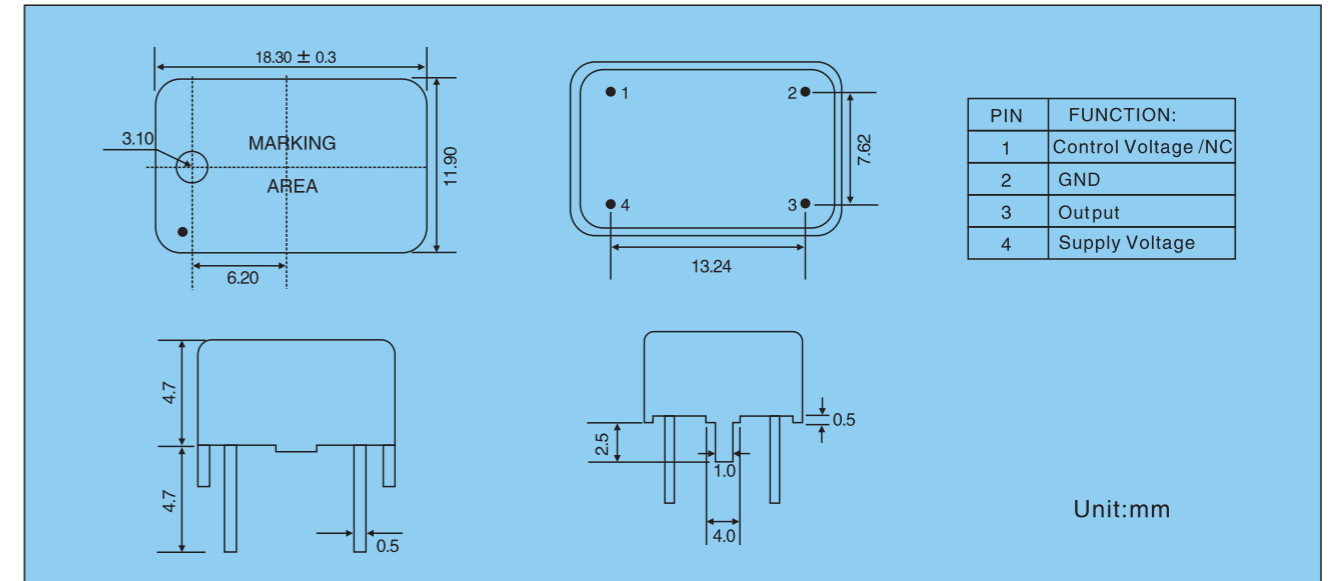


### Test Circuit-CMOS



\* inclusive of jiggging and equipment capacitance\*

### TCXO-18



### OUTPUT TYPE AND LOAD CHARACTERISTICS TABLE 1

Output Waveform	Sine Wave
Output Characteristics	Load: Nominal 50 Ω Output level: > 5dBm Harmonic Suppression: < -25dB

Output Waveform	HCMOS/LVCMOS
Output Characteristics	Load: 15pF typical, 50pF available "1" level: > 0.9VDD; "0" level: < 0.1VDD Duty cycle: 40/60 Current: Max. 25mA