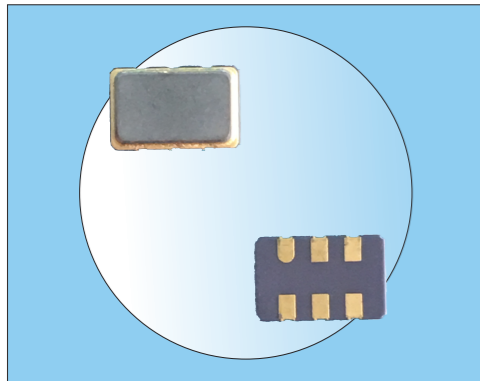


Crystal Oscillators

Voltage Controlled Crystal Oscillator/SMD5032L



Features

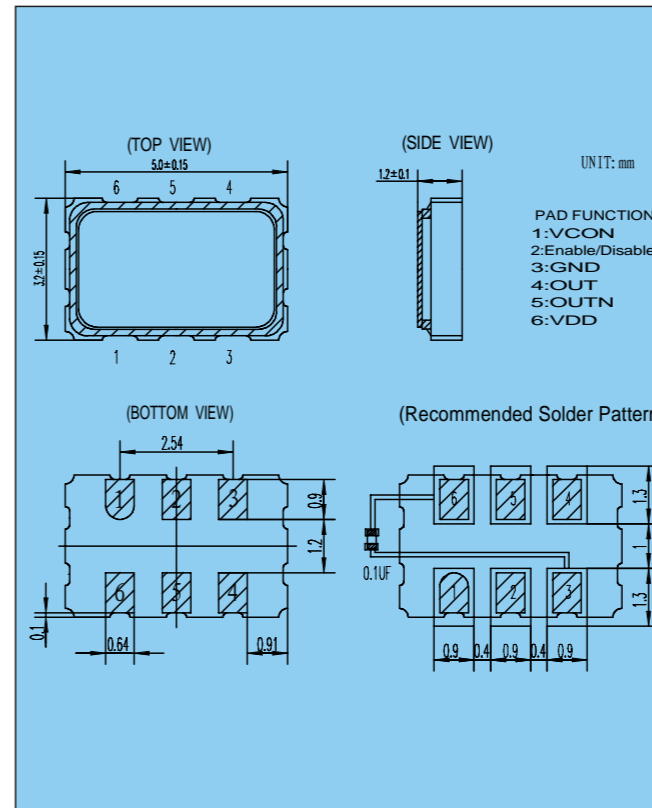
- JYEG part number :JYVCD5L
- 3.3V supply voltage
- LVDS output
- Tri-state function available
- Tape and reel available

TYPICAL SPECIFICATIONS

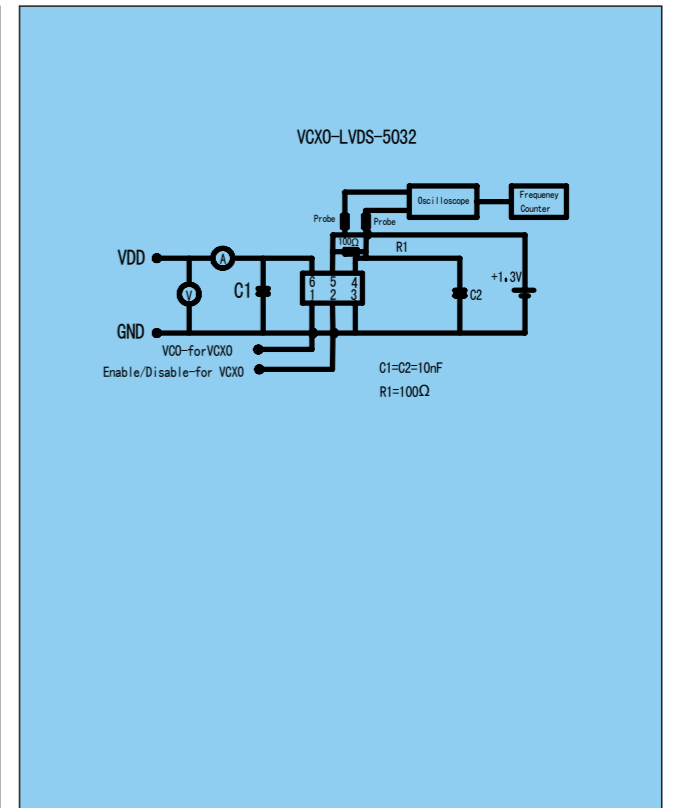
| Type | VCXO SMD5032L | | |
|-----------------------------|---|------|-----|
| Frequency Range | 100.000MHZ~170.000MHZ(AT1) | | |
| Frequency Stability | $\geq \pm 30\text{ppm}/\geq \pm 35\text{ppm}/\geq 50\text{ppm}$ | | |
| Operating Temperature Range | $-20^{\circ}\text{C}\sim 70^{\circ}\text{C}/-40^{\circ}\text{C}\sim 85^{\circ}\text{C}/-40^{\circ}\text{C}\sim 105^{\circ}\text{C}$ | | |
| Output Load | $100\pm 1\Omega$ | | |
| Input Current | $\leq 80\text{mA}$ | | |
| Supply Voltage | $3.3\text{V} \pm 10\%$ | | |
| Start-up Time | 1ms Max | | |
| Duty Cycle | 40%~60% Normal,45%~55% Tight | | |
| Rise/Fall Time | 2ns Max | | |
| Pulling Range | $\pm 50\text{ppm}$ Min | | |
| Control Voltage Range | 0~3.3V | | |
| Linearity | 10% Max | | |
| Output "H" Level | MIN | TYP | MAX |
| | — | 1.43 | 1.6 |
| Output "L" Level | MIN | TYP | MAX |
| | 0.9 | 1.1 | — |
| Tri-state | Pin1:0.7 VDD Min(High)or open,Output:Enable | | |
| | Pin1:0.3 VDD Max(Low),Output:Disable | | |
| RMS Jitter(12KHZ~20MHZ) | 1.0ps Max | | |
| Aging | $\pm 3\text{ppm}/\text{year}$ Max | | |
| Storage Temperature Range | $-55^{\circ}\text{C}\sim 125^{\circ}\text{C}$ | | |

Crystal Oscillators

VCXO SMD5032L(JYVCD5L)



TEST CIRCUIT



TAPE AND REEL DIMENSIONS

