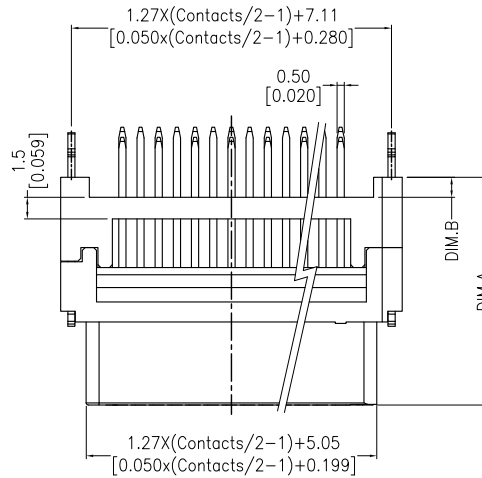


HSF

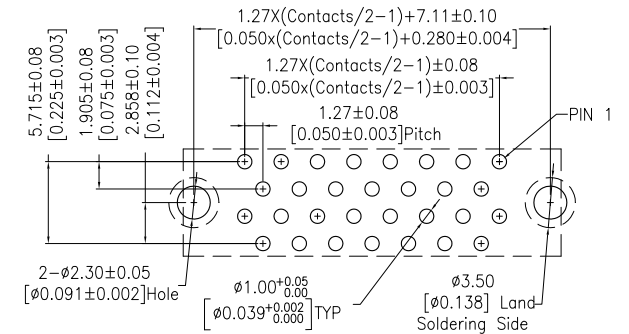
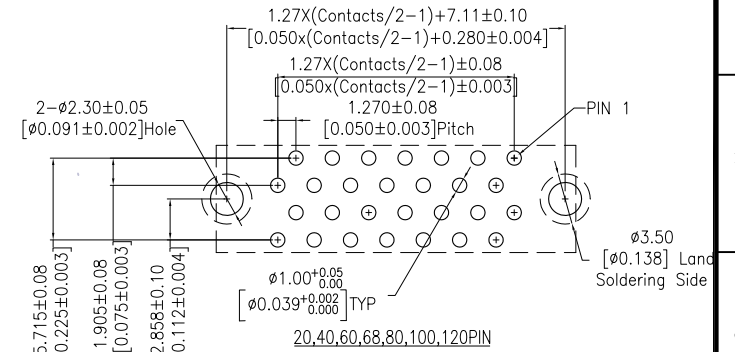
NOTES:

Current Rating:0.5A/Contact
 Voltage Rating:250V AC
 Contact Resistance:35milliohm Max
 Withstand Voltage:500V AC/DC
 Insulation Resistance:500Megohm Min
 Operation Temperature:-20°C to +105°C

Housing Material:PBT+30%GF(UL94V-0)
 Cover Material:PBT+30%GF(UL94V-0)
 Terminal Material:Phosphor Bronze
 Holding pin Material:Phosphor Bronze
 Terminal plating:Sn-Au over Ni Plating
 Holding pin plating:Sn over Ni Plating



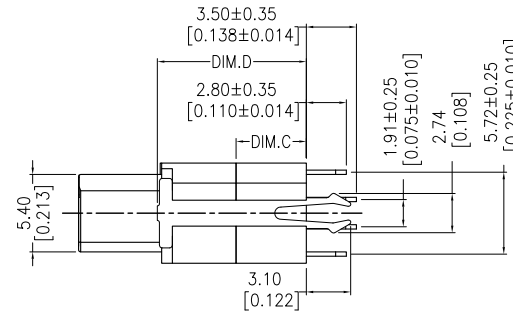
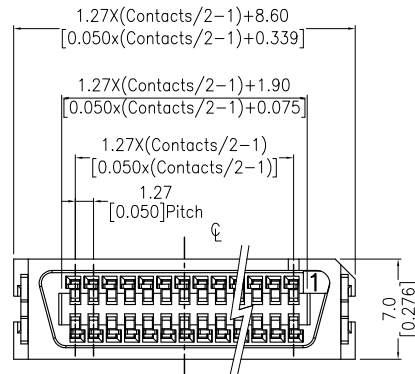
Recommended P.C.B Layout (Top Side)
 (PCB BOARD TOLERANCE±0.05)



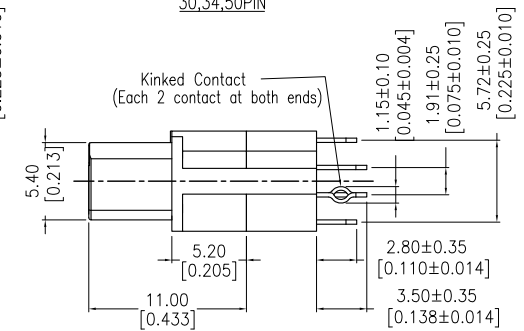
Ordering Information

6325D-XXX SD XX P X X 0 X

No.of Pins Contact Plating Type Packing
 S1=3u"Gold/Tin W:With Board Lock T=Tube
 S2=5u"Gold/Tin N:Without Board Lock

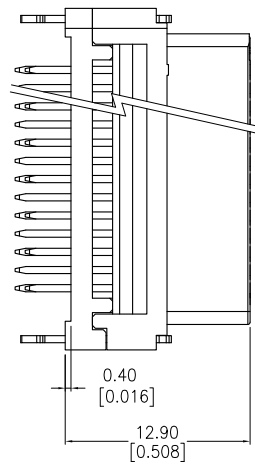


With Board Lock

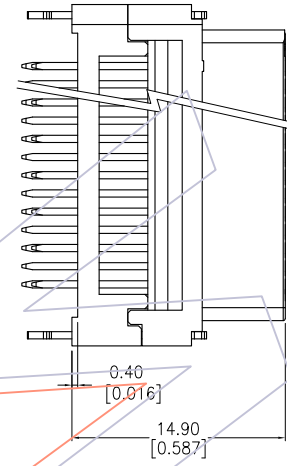
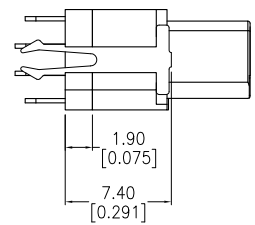


Without Board Lock

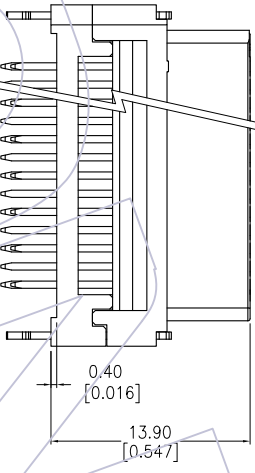
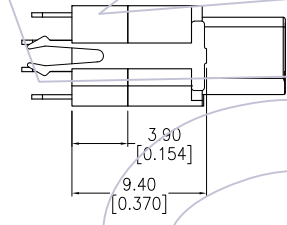
				OPERATION	DRAW	DATE	SCALE	Fit	PART NO.
				X.X ±0.40	Ts insn	2013/02/07	UNIT	mm	6325D-XXXSDXXPXX0X
				X.XX ±0.25	CHECK	DATE	SIZE	A4	TITLE:
				X.XXX ±0.15	APPROVE	DATE	SHEET	1/2	1.27mm SCSI D-Type
AO	2013/02/07	NEW	-----	Angle ± 3'			PROJ.	Customer NO.	Female 180° DIP Add Cover
REV	DATE	MODIFICATION DESCRIPTION	CHANGE	DIM	TOL				



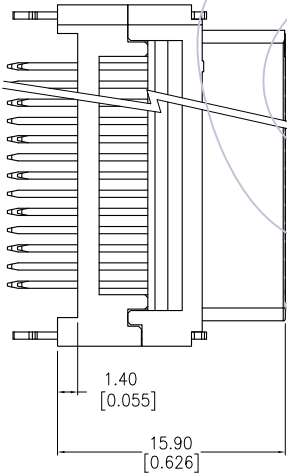
6325D-XXXXSDXXPPXX01



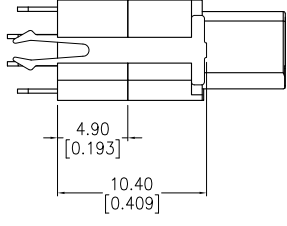
6325D-XXSDXXPPXX03



6325D-XXXXSDXXPPXX02



6325D-XXXXSDXXPPXX04



PART NO.	DIM.A	DIM.B	DIM.C	DIM.D
6325D-XXXXSDXXPPXX01	12.90	0.40	1.90	7.40
6325D-XXXXSDXXPPXX02	13.90	0.40	2.90	8.40
6325D-XXXXSDXXPPXX03	14.90	0.40	3.90	9.40
6325D-XXXXSDXXPPXX04	15.90	1.40	4.90	10.40

REV	DATE	MODIFICATION DESCRIPTION	CHANGE	OPERATION	DRAW	DATE	SCALE	PART NO.	
A0	2013/02/07	NEW	-----	XX ±0.40	T _{sin} CHECK	2013/02/07	Fit mm	6325D-XXXXSDXXPPXX0X	
				X.XX ±0.25	CHECK	DATE	UNIT inch	TITLE: 1. 27mm SCSI D-Type Female 180° DIP Add Cover	WCON-Dongguan Http: www.wcon.com WCON-Kunshan
				X.XXX ±0.15	APPROVE	DATE	SHEET 2/2	Customer NO.	
				Angle ± 3'			PROJ.		Tel: +86 512 57468408 Fax: +86 512 57468468 E-mail: sales@wcon.com