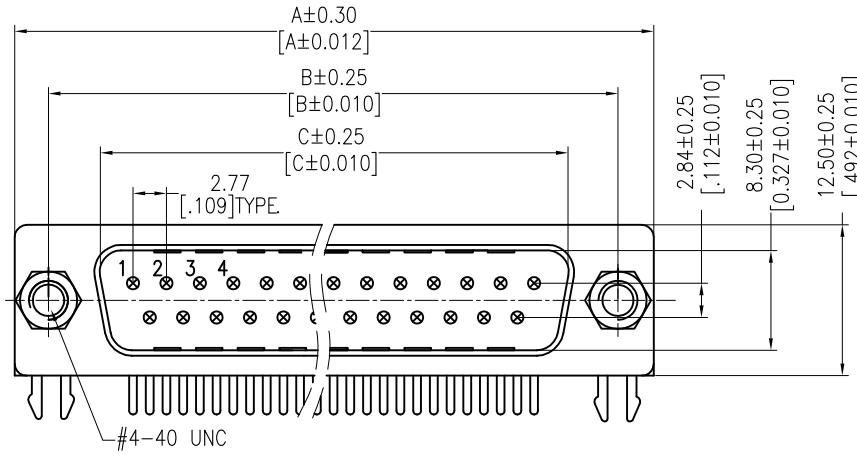


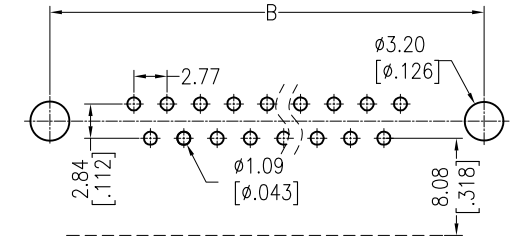
# HSF

NOTES:  
 Current Rating: 3.0AMP  
 Contact Resistance: 25mΩ Max  
 Withstand Voltage: 500V AC/DC  
 Insulation Resistance: 1000MΩ Min  
 Operation Temperature: -55°C to +105°C

Contact Material: Brass  
 Contact plating: Au Or Sn over Ni  
 Insulator Material: PBT+30%G.F UL94V-0  
 Sheel: Cold Roller Steel, Ni Plated  
 Revit: Brass, Sn Over Ni Plated  
 Screw: Brass, Ni Plated



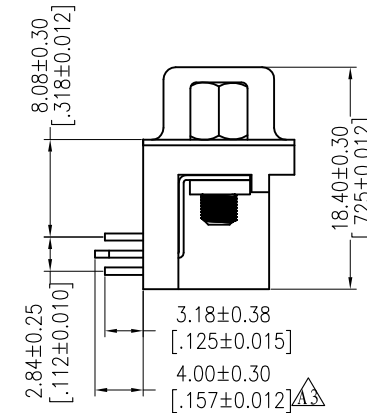
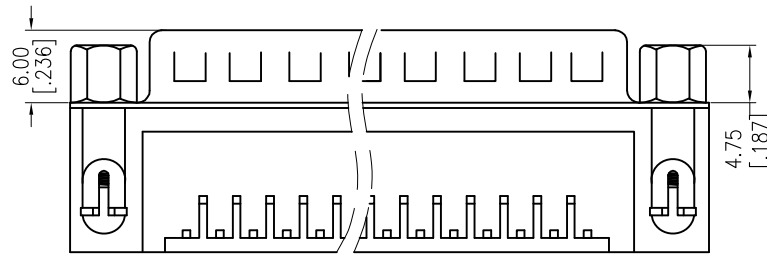
Recommended P.C.B Layout (Top Side)  
 (PCB BOARD TOLERANCE ±0.05)



## Ordering Information

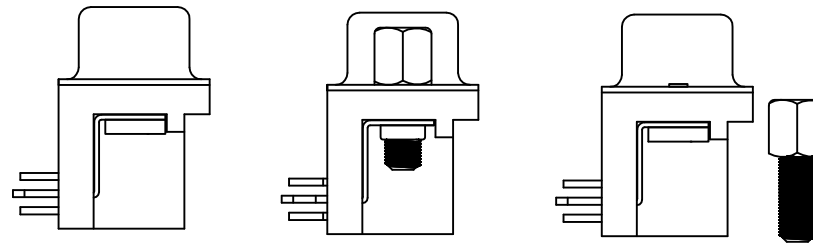
6223-XX M X N XX B 01

No. of Pins 15, 25, 37P	Product Type W=With Revit With Screw M=With Revit Without Screw S=No Revit Lock With Screw H=With Revit With Screw (Don't lock)	Contact Plating S0=Gold Flash/Tin B:Black S3=10u"Gold/Tin U:Blue S4=15u"Gold/Tin S5=30u"Gold/Tin SN=Tin	Insulator Color
----------------------------	---	--	-----------------



6223-XXMWNXXX01

PINS	DIM "A"	DIM "B"	DIM "C"
15	39.14	33.32	25.25
25	53.04	47.04	38.96
37	69.32	63.50	55.42



6223-XXMMNXXX01

6223-XXMSNXXB01

6223-XXMHNXXX01

REV	DATE	MODIFICATION DESCRIPTION	CHANGE	OPERATION	DRAW	DATE	SCALE	FIT	PART NO.
A4	2014/06/21	Modify	△4	OPERATION	Allen	2014/06/03	UNIT	mm	6223-XXMXNXXB01
A3	2014/06/03	Modify	△3	x.X ±0.40	CHECK	DATE	SIZE	A4	TITLE:
A2	2013/06/24		△2	x.XX ±0.25			SHEET	1/1	D-SUB MALE CONNECTOR
A0	2012/12/06	NEW	-----	x.XXX ±0.15	APPROVE	DATE	PROJ.	Customer NO.	8.08 FOOTPRINT RIGHT ANGLE TYPE
				Angle ± 3'					
				DIM TOL					